

Rules for the inspection of transport packaging  
for export tea commodities



A      C                      B  
:  
:



1

2

GB/T 191 2000

GB/T 736 1987

GB/T 2828.1 2003

1 : (AQL)

GB/T 4857.1 1992

GB/T 4857.2 1992

GB/T 4857.3 1992

GB/T 4857.4 1992

GB/T 4857.5 1992

GB/T 5048 1999

GB/T 6981 2003

GB/T 9846.4 2004

GB/T 9846.8 2004

GB/T 9846.9 2004

GB/T 9846.12 1988

LY/T 1170 1995

CB/T 3811 1999

SB/T 10037 1992

SN/T 0262 1993

SN/T 0912 2000

YB/T 025 2002

YB/T 5002 1993

3

3.1

Tea commodities

3.2

Moistureproof packaging

4

4.1

75%

35

4.2

100mm

4.3

4.4

4.5

A

4.6

1

GB/T 5048 1999

4.7

SB/T 10037 1992

4.8

4.9

GB/T 3811 1999

YB/T 025 2002

5

5.1

25000

10000

5.2

5.2.1

1

IL I

AQL

6.5

1

:

|         |    |             |     |
|---------|----|-------------|-----|
|         |    |             |     |
| 25      | 3  | 501 1200    | 32  |
| 26 90   | 5  | 1201 3200   | 50  |
| 91 150  | 8  | 3201 10000  | 80  |
| 151 280 | 13 | 10001 25000 | 125 |
| 281 500 | 20 |             |     |

5.2.2

2

2

|  |  |   |
|--|--|---|
|  |  |   |
|  |  | 3 |
|  |  | 3 |
|  |  | 3 |
|  |  | 3 |
|  |  | 3 |
|  |  | 3 |
|  |  | 3 |
|  |  | 3 |

5.3

GB/T 2828.1 2003

6

6.1

6.1.1

6.1.1.1

6.1.1.1.1

3

A

B

3

|  |            |                |               |
|--|------------|----------------|---------------|
|  |            |                |               |
|  |            | 12             | "             |
|  | "          |                | B             |
|  | B.1        |                | A             |
|  |            | GB/T 191       | B             |
|  |            |                | A             |
|  |            |                | A             |
|  | 100mm      | 5              | B             |
|  | 20%        | 5mm            |               |
|  |            |                | A             |
|  |            |                | A             |
|  |            | 20%            | 3mm           |
|  |            |                | B             |
|  |            |                | 30%           |
|  |            |                | 1/3           |
|  |            | 1%             | 2%            |
|  |            |                | A             |
|  |            | 20%            |               |
|  |            |                | B             |
|  |            |                | A             |
|  |            |                | A             |
|  |            |                | A             |
|  |            | 20mm× 20mm     | ± 1mm         |
|  | 30mm× 30mm |                | ± 2mm         |
|  |            |                | ± 5mm         |
|  |            |                | B             |
|  |            | 1140mm         | 2.5mm         |
|  |            |                | 1.5mm         |
|  |            | GB/T 736       | 47× 35 /100mm |
|  |            | ± 2 /100mm     | ± 1.5 /100mm  |
|  |            | 3.5mm          | 4.0mm         |
|  |            |                | ± 0.3mm       |
|  |            |                | A             |
|  |            |                | A             |
|  |            |                | A             |
|  |            | LY/T 1170 1995 | 3.4           |
|  |            |                | A             |

3

|  |  |                    |   |
|--|--|--------------------|---|
|  |  | LY/T 1170 1995 3.6 | B |
|  |  | YB/T 5002 C        | A |
|  |  | 60mm               | A |
|  |  | 3mm                | A |
|  |  | ± 2mm              | B |

6.1.1.1.2

3

4

4

|     |    |    |
|-----|----|----|
|     |    |    |
| 3   | 0  | 1  |
| 5   | 1  | 2  |
| 8   | 1  | 2  |
| 13  | 2  | 3  |
| 20  | 3  | 4  |
| 32  | 5  | 6  |
| 50  | 7  | 8  |
| 80  | 10 | 11 |
| 125 | 14 | 15 |

6.1.1.2

6.1.1.2.1

6.1.1.2.2

6.1.1.2.2.1

SNVT 0912 2000 4.2.3.1

6.1.1.2.2.2

15%

12%

6.1.1.2.3

6.1.1.2.3.1

GB/T 9846.8-2004 GB/T 9846.9-2004

6.1.1.2.3.2

GB/T 9846.12-1998 IV

6.1.1.2.3.3

0.70MPa

GB/T 9846.4 2004 8.2.4

8.2.6 8.2.7

6.1.1.2.4

6.1.2

6.1.2.1

6.1.2.1.1

SNVT 0262 1993 5.1.2.1

02

6.1.2.1.2

4



SN/T 0262 1993 5.1.2.1

4

6.1.2.2

6.1.2.2.1

6.1.2.2.2

GB/T 4857.2-1992

23 ± 2

50%± 2%

24h

5min

6.1.2.2.3

SN/T 0262 1993 5.2.3

50g

6.1.2.2.4

6.1.2.2.4.1

SN/T 0262 1993 5.2.4 5.2.5 5.2.6 5.2.7

6.1.2.2.4.2

SN/T 0262 1993 5.2.4.2

6.1.2.2.5

6.1.2.2.5.1

SN/T 0262 1993 5.1.2.2

6.1.2.2.5.2

11%± 2%

6.1.2.2.6

6.2

6.2.1

a)

b)

c)

d)

6.2.2

6.2.3

GB/T 4857.1-1992

6.2.4

GB/T 4857.2-1992

23 ± 2

50%± 2%

24h

5min

6.2.5

6.2.5.1

6.2.5.1.1

GB/T 4857.3-1992

6.2.5.1.2

6.2.4

6.2.5.1.3

|   |                              |     |       |   |
|---|------------------------------|-----|-------|---|
| GB/T 4857. 3-1992                       | 3m                           | 24h | 2     | 1 |
|   | $M=K \frac{H}{h} -1 \cdot M$ |     | ..... | 1 |
| $M$ -----                               | kg                           |     |       |   |
| $K$ -----                               |                              |     |       |   |
| $H$ -----                               | m                            |     |       |   |
| $h$ -----                               |                              | m   |       |   |
| $M$ -----                               | kg                           |     |       |   |
| 6.2.5.1.4                               |                              |     |       |   |
| 6.2.5.2                                 |                              |     |       |   |
| 6.2.5.2.1                               |                              |     |       |   |
| GB/T 4857. 5-1992                       |                              |     |       |   |
| 6.2.5.2.2                               |                              |     |       |   |
| 6.2.4                                   |                              |     |       |   |
| 6.2.5.2.3                               |                              |     |       |   |
| GB/T 4857. 5-1992                       | 1.2m                         |     |       |   |
|   | 7                            |     |       |   |
| 6.2.5.2.4                               |                              |     |       |   |
| 6.2.5.3                                 |                              |     |       |   |
| 6.2.5.3.1                               |                              |     |       |   |
| GB/T 4857. 4-1992                       |                              |     |       |   |
| 6.2.5.3.2                               |                              |     |       |   |
| 6.2.4                                   |                              |     |       |   |
| 6.2.5.3.3                               |                              |     |       |   |
| GB/T 4857. 4-1992                       | 3m                           |     | 2     |   |
| $P=KG \times \frac{H}{h} -1 \times 9.8$ |                              |     | ..... | 2 |
| $P$ -----                               | N                            |     |       |   |
| $K$ -----                               | , 2                          |     |       |   |
| $G$ -----                               | kg                           |     |       |   |
| $H$ -----                               | m                            |     |       |   |
| $h$ -----                               | m                            |     |       |   |
| 6.2.5.3.4                               |                              |     |       |   |
|   | P                            |     |       |   |
| 6.2.5.4                                 |                              |     |       |   |
| 6.2.5.4.1                               |                              |     |       |   |
| GB/T 6981-2003                          |                              |     |       |   |

6.2.5.4.2

6.2.4

3%

6.2.5.4.3

GB/T 6981-2003

40 ± 1

90%± 2%

30

6.2.5.4.4

5.5%

5.5%

6.2.6

7

8

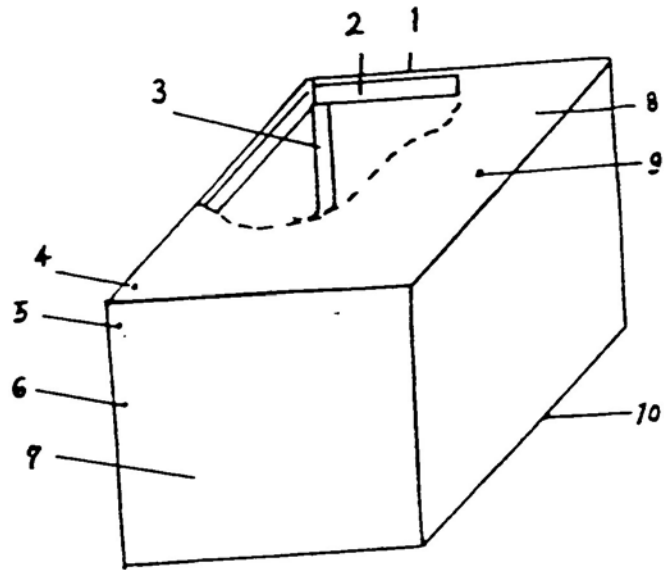
A

A.1

A.1

|  |  | mm<br>L× B× H   |        |
|--|--|---|--------|
|  |  | 460× 460× 464<br>435× 435× 460  | < 46kg |
|  |  | 500× 400× 600<br>400× 400× 600  |        |
|  |  | 460× 435× 435<br>460× 460× 400<br>600× 400× 400<br>600× 500× 400<br>575× 385× 385 | < 40kg |

B



- 1 —
- 2 —
- 3 —
- 4 —
- 5 —
- 6 —
- 7 —
- 8 —
- 9 —
- 10 —

B.1

C

C 1

C 1

|  |    |   |
|--|----|---|
|  |    |   |
|  | 30 | 2 |
|  | 25 | 8 |
|  | 25 | 4 |
|  | 25 | 4 |
|  | 25 | 4 |
|  | 50 | 1 |
|  | 25 | 2 |

---

“ 90-2003”

|           |    |           |           |          |   |
|-----------|----|-----------|-----------|----------|---|
| SB/T10036 |    | SB/T10094 | SB/T10037 | SN/T0912 |   |
|           | 4  |           | ISO       |          | 4 |
|           | SN |           |           | SB       |   |
| GB/T1. 1  |    |           |           |          |   |
| GB2828    |    |           |           | SN       |   |

|               |               |   |
|---------------|---------------|---|
|               | GB/T1. 1-2000 | 1 |
| SN/T0004-1995 |               |   |

SB/T10037